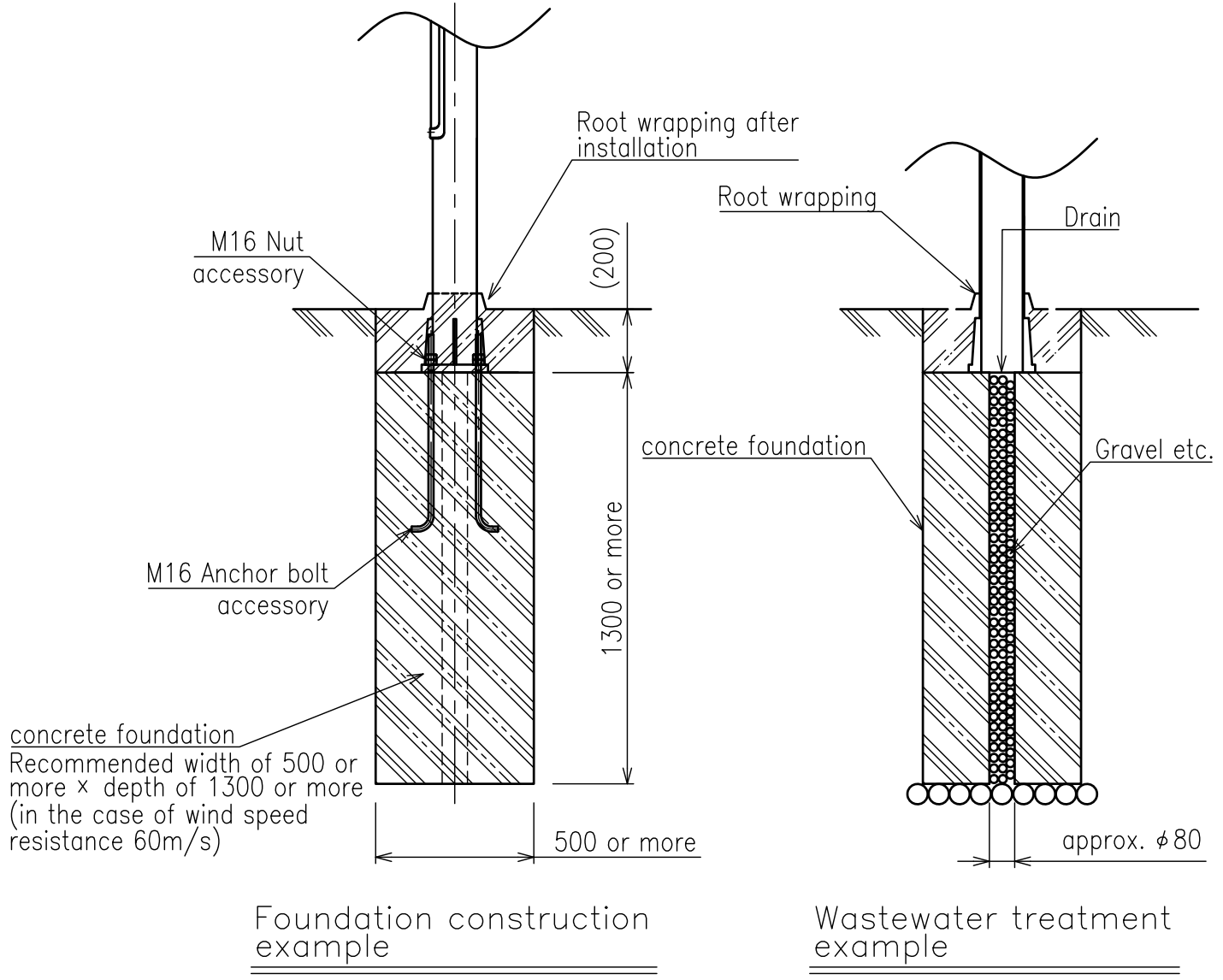
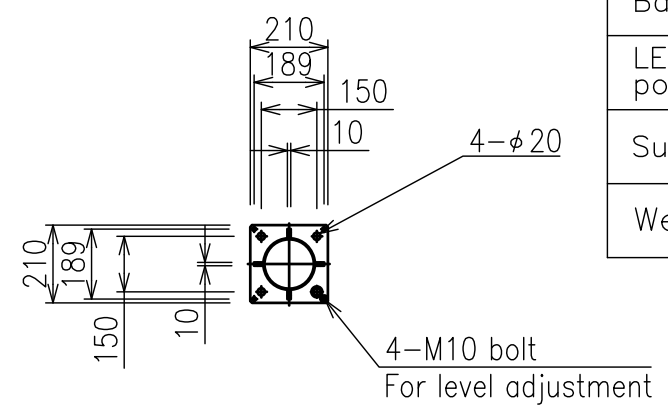
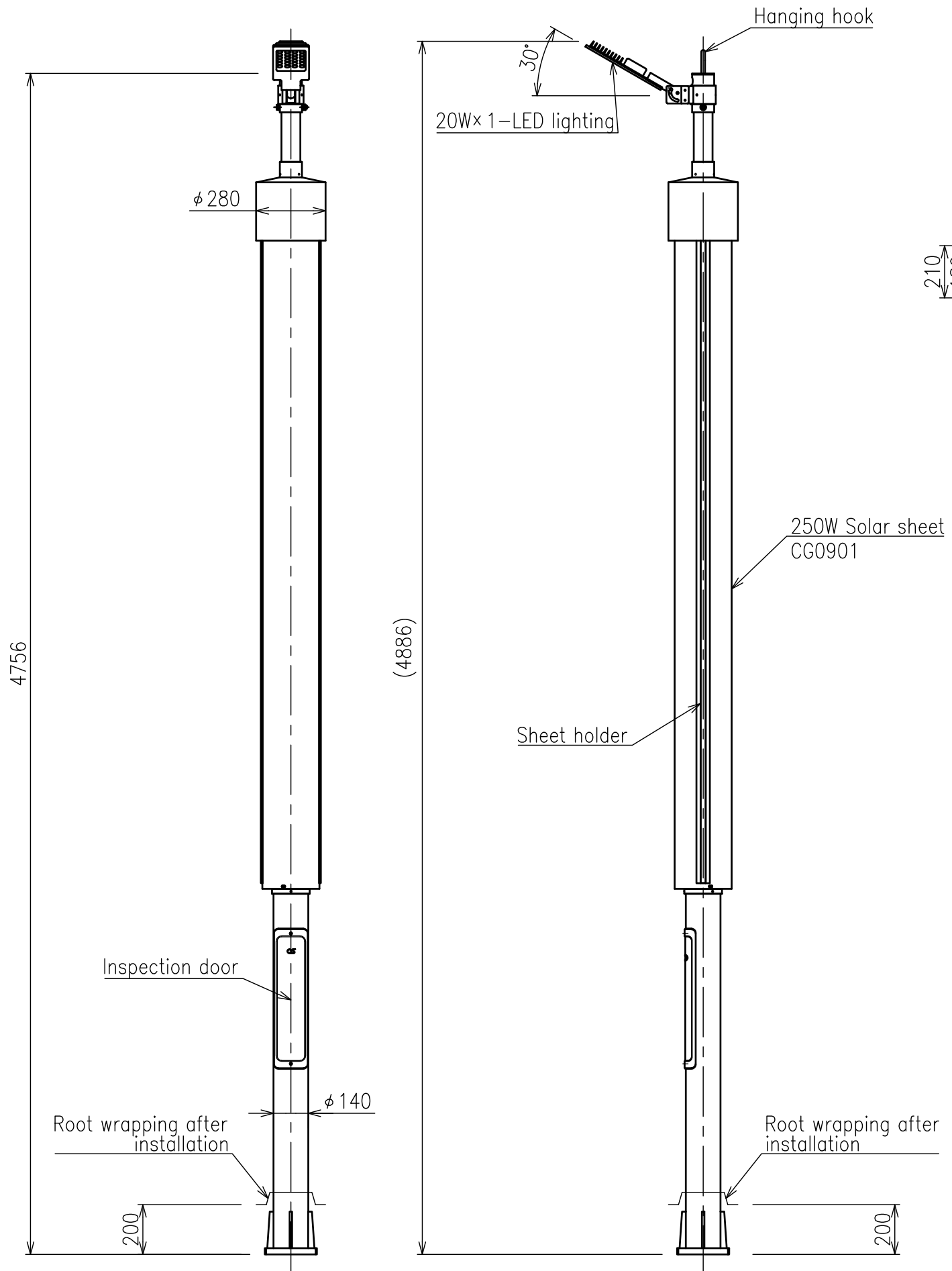


Power generation capacity	250W
Battery capacity	1024Wh
LED lighting power consumption	20W
Surface treatment	Hot-dip galvanized
Weight	approx. 150kg



The foundation construction example and wastewater treatment example is based for the Japanese popular standard of construction work.